

Luminaire Protection Device

For electronic devices

When electronic components form part of lighting systems, it is often necessary to protect such components against power-supply interruptions and electric overloads (power surges).

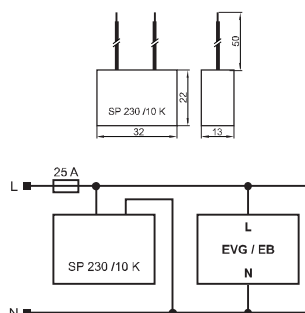
These can be caused by switching inductive loads or by atmospheric discharges such as lightning striking the mains or the ground. A further cause can be induced voltages from neighbouring cables when working with leading-edge phase-cutting controls.

The protection unit reduces over-voltages at the connection terminals of electronic components. The remaining residual voltage is then reduced to a respective protective level, based on the discharge current.

SP 230/10 K

Suitable for luminaires of protection class II
Type 3 product
With integrated thermal fuse
Dimensions (LxWxH): 32x22x13 mm
Weight: 20 g
Connecting: solid wire, length: 50 mm

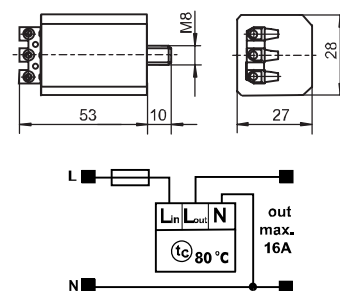
Ref. No.: 147230



SPC 230/10 K

If the protective luminaire component overloads, the connected lighting circuit will be interrupted. This cut-out function makes it easier to detect the end of life of the protective component, facilitates quick replacement by maintenance staff and provides reliable protection for lighting components. Suitable for luminaires of protection class I
Type 3 product
Dimensions (LxWxH): 53x28x27 mm
Weight: 50 g
Screw terminals: 0.5–1.5 mm²

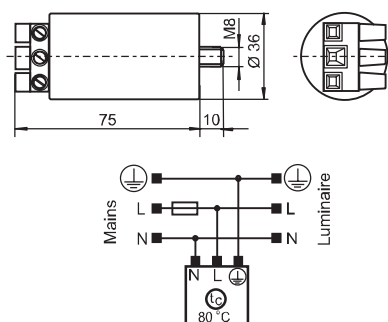
Ref. No.: 142736



SP 3/230/10 K

Suitable for luminaires of protection class I
Type 3 product
Dimensions (ØxH): Ø 36x75 mm
Weight: 60 g
Screw terminals: 0.75–4 mm²

Ref. No.: 147233



Type	Ref. No.	Voltage 50/60 Hz V ± 10 %	Max. load current A	Max. impulse voltage U _{oc} (V)	Discharge current* (8/20 μs) I _n (A) I _{max} (A)	Protection level at discharge current of 1000 A	Safety max. A	Max. permitted casing temperature (°C)	Min. permitted ambient temperature (°C)	Fixation
SP 230/10 K	147230	220–240	—	10000	5000 10000	≤ 850 V	25	80	–30	—
SPC 230/10 K	142736	220–240	16	10000	5000 10000	≤ 850 V	16	80	–30	M8x10
SP 3/230/10 K	147233	100–277	—	10000	5000 10000	≤ 1000 V	25	80	–30	M8x10

* Discharge current: at 5000 A min. 10 strikes; at 10,000 A min. 1 strike

The values contained in this data sheet can change due to technical innovations. Any such changes will be made without separate notification.