

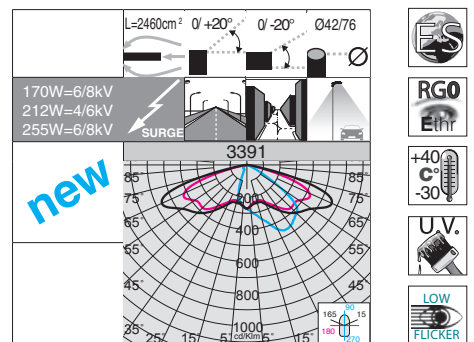
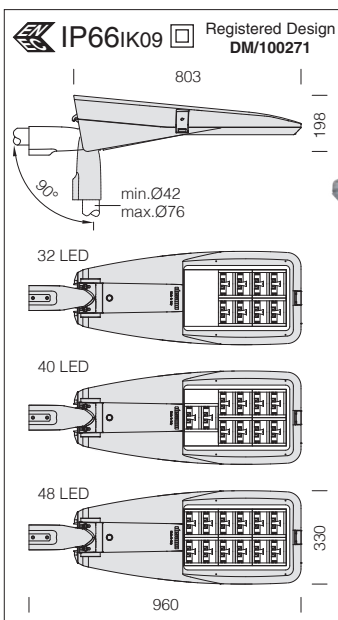
**LED: LUMINOUS FLUX MAINTENANCE**  
(including end-of-life failure)

n. LED	W tot	L80B10 @ta+25°C	L80B10 @ta+50°C	L90B10 @ta+25°C	L90B10 @ta+50°C
32	170 (700mA)	>100.000h	>100.000h	70.000h	50.000h
40	212 (700mA)	>100.000h	>100.000h	70.000h	50.000h
48	255 (700mA)	>100.000h	>100.000h	60.000h	40.000h

**3390 Sella 2 - ST**

wattage (700mA)	colour	CLD CELL		W tot	LUMEN OUTPUT (tq= 25 °C)	
		weight	code		K	ølm 700mA - CRI
LED	grey	11.00	330803-00	170	4000K - 20634lm - CRI 70	
	graphite		330800-00			
LED	grey	11.00	330803-39	170	3000K - 19190lm - CRI 70	
	graphite		330800-39			
LED	grey	11.00	330804-00	212	4000K - 25792lm - CRI 70	
	graphite		330801-00			
LED	grey	11.00	330804-39	212	3000K - 23987lm - CRI 70	
	graphite		330801-39			
LED	grey	11.00	330805-00	255	4000K - 30950lm - CRI 70	
	graphite		330802-00			
LED	grey	11.00	330805-39	255	3000K - 28784lm - CRI 70	
	graphite		330802-39			

**On request:** possibility to control each individual light point (see table on p. 343).



**LED: LUMINOUS FLUX MAINTENANCE**  
(including end-of-life failure)

n. LED	W tot	L80B10 @ta+25°C	L80B10 @ta+50°C	L90B10 @ta+25°C	L90B10 @ta+50°C
32	170 (700mA)	>100.000h	>100.000h	70.000h	50.000h
40	212 (700mA)	>100.000h	>100.000h	70.000h	50.000h
48	255 (700mA)	>100.000h	>100.000h	60.000h	40.000h

**3391 Sella 2 - STWB**

wattage (700mA)	colour	CLD CELL		W tot	LUMEN OUTPUT (tq= 25 °C)	
		weight	code		K	ølm 700mA - CRI
LED	grey	11.00	330813-00	170	4000K - 20495lm - CRI 70	
	graphite		330810-00			
LED	grey	11.00	330813-39	170	3000K - 19060lm - CRI 70	
	graphite		330810-39			
LED	grey	11.00	330814-00	212	4000K - 25618lm - CRI 70	
	graphite		330811-00			
LED	grey	11.00	330814-39	212	3000K - 23825lm - CRI 70	
	graphite		330811-39			
LED	grey	11.00	330815-00	255	4000K - 30742lm - CRI 70	
	graphite		330812-00			
LED	grey	11.00	330815-39	255	3000K - 28591lm - CRI 70	
	graphite		330812-39			

**On request:** possibility to control each individual light point (see table on p. 343).

**Optics:** in aluminium coated with very high purity (99.99%) silver using physical vapour deposition (PVD).

**LED:** Power factor  $\geq 0.92$ .  
Luminous flux maintenance 80%:  
>100.000h (L80B10).

**Optics:** in aluminium coated with very high purity (99.99%) silver using physical vapour deposition (PVD).

**LED:** Power factor  $\geq 0.92$ .  
Luminous flux maintenance 80%:  
>100.000h (L80B10).

